



THUNDER ARMOR

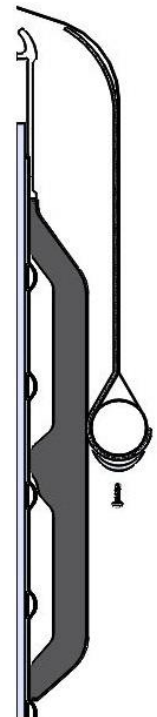
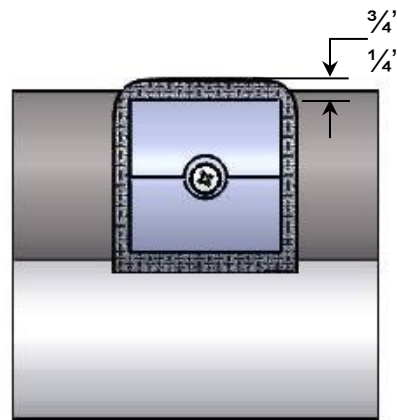
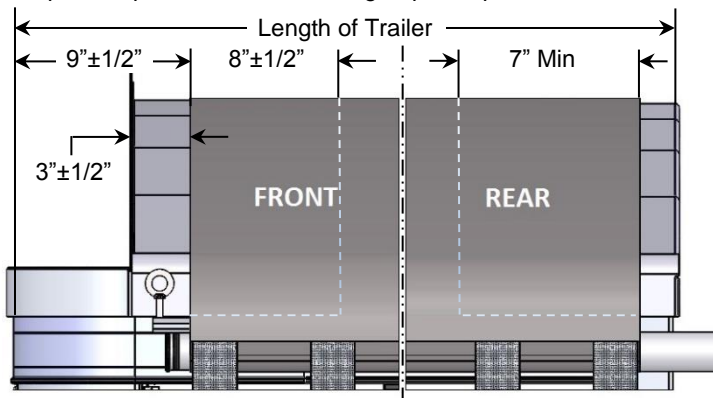
TARP INSTALLATION INSTRUCTIONS

NOTICE:

- Verify the length of the tarp is correct before installation!
- Before installing your Thunderstone tarp, lay out the tarp and check that the length of the tarp will fit the trailer according to the detailed dimensions listed below.
- For exact length of the tarp, measure the tarp at both the fixed tube (curbside) and the roll tube (roadside).
- The front and rear tarp edges must be within the dimensions shown below for correct installation.
- The correct fit will prevent premature wearing of the tarp and tarp pockets.
- Failure to follow the guidelines of this notice may void all tarp warranty claims related to incorrect tarp length.

INSTALLATION:

1. Insert the 1" fixed tube into the curbside pocket making sure there are no burrs that may catch and tear the tarp.
2. Secure each curbside end strap to the 1" fixed tube with a rivets or Phillips self-tapping 14 X 3/4" screws.
3. Insert the 2" roll tube in the roadside pocket making sure there are no burrs that may catch and tear the tarp.
4. Mount the tarp on the trailer, placing the fixed tube in the tarp stops. Secure the tarp stops with pins & clips.
5. Leave the tarp hanging down on the road side and pull the tarp strap around the roll tube.
6. Place the nylon u-clamp over the tarp strap from the bottom side of the roll tube. Make sure the clip is centered on the strap.
7. The tarp strap should extend 1/4" to 3/4" beyond the outward edge of the tarp clamp. Cut any excess tarp strap off.
8. Use the Phillips self-tapping 14 X 3/4" screws to secure the tarp u-clamp to the roll tube.
9. Repeat steps 5-8 for all remaining tarp clamps.



TENSION TESTING AND ADJUSTING:

- After properly setting the tension on the crank handle, make sure that the tarp is in the locked position and check the following:
 - Make sure there is equal tension on both the end caps and the bows.
 - Visually inspect each tarp u-clamp area for excess tarp pull indicated by downward wrinkling of the tarp.
- If, for any reason, the tarp tension is not the same along the length of the tarp (i.e. tarp twist, u-clamps not aligned, wrinkling), the u-clamps and the tarp may need to be re-adjusted in the loose or tight areas of the tarp.

