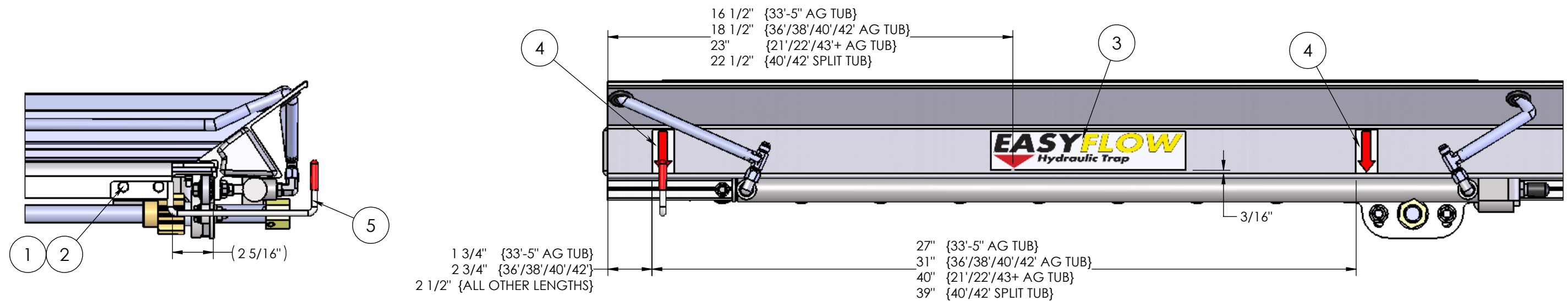
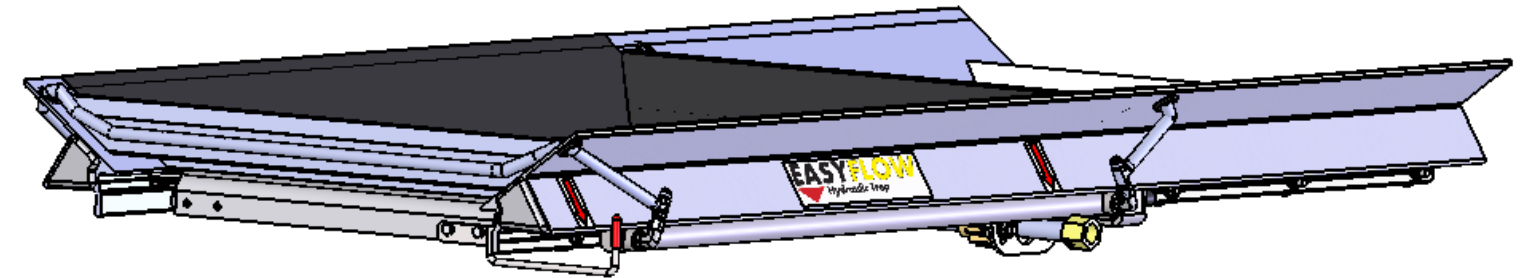




ITEM NO.	100741	QTY.	DESCRIPTION
1	032-03471	2	NUT, 3/8-16 TOP LOCK FLANGED
2	032-49445	2	BOLT, 3/8-16 X 1" HEX HD, STAINLESS STEEL
3	035-55688	1	DECAL DOOR INDICATOR CENTER EASY FLOW
4	035-55886	2	DECAL DOOR POSITION INDICATOR EZ-FLOW
5	577-58542	1	BRACKET DOOR INDICATOR EASY-FLOW



INSTALLATION INSTRUCTIONS:

1. LOCATE INDICATOR BRACKET AND DECALS ON RDS. FRONT TRAP FRAME SHOWN REAR TRAP FRAME NOT SHOWN.
2. MOUNT THE INDICATOR BRACKET BY HOLDING IT UP TO THE FRONT LIP OF THE DOOR ON THE FRONT DOOR AND THE REAR LIP OF THE REAR DOOR.
3. LINE UP THE EDGE OF THE BRACKET WITH THE EDGE OF THE DOOR LIP APPROXIMATELY (2 5/16") FROM THE INSIDE OF THE TRAP FRAME (SEE THE REFERENCE DIMENSION). MAKE SURE THE BRACKET IS LEVEL, THEN MARK WHERE THE HOLES WILL BE.
4. DRILL TWO .390" (25/64") HOLES WHERE MARKED.
5. ATTACH THE BRACKET USING 2 OF THE 3/8"-16 X 1" STAINLESS STEEL BOLTS AND 3/8" FLANGED LOCK NUTS.
6. THE ARROW DECAL LOCATION DIMENSIONS ARE FOR REFERENCE AND WILL VARY BY TRAILER. LOCATE CLOSED ARROW ABOVE INDICATOR BRACKET WITH DOOR FULLY CLOSED & LOCATE OPEN ARROW WITH DOOR FULLY OPEN.
7. LOCATE THE CENTER LABEL ACORDING TO THE DIMENSIONS ON THE PRINT. THE DIMENSION IS FROM THE END OF THE TRAP FRAME TO THE POINT OF THE ARROW ON THE LABEL. THIS WILL LOCATE THE HALF WAY OPEN POINT

DRWN BY: MGW
 DATE DRWN: 7/23/2014

For questions contact customer service @ 402-435-4249

DWG. NO. 100741

REV: