



## MOTOR COVER

# INSTALLATION INSTRUCTIONS

Part #'s 101284-03 Black, 101284-04 White, 101284-05 Gray



3400 West O Street  
Lincoln, NE 68528  
402-435-4249  
(Fax) 402-438-3918

[www.thunderstonemfg.com](http://www.thunderstonemfg.com)

June 12<sup>th</sup> 2019

**PURPOSE:**

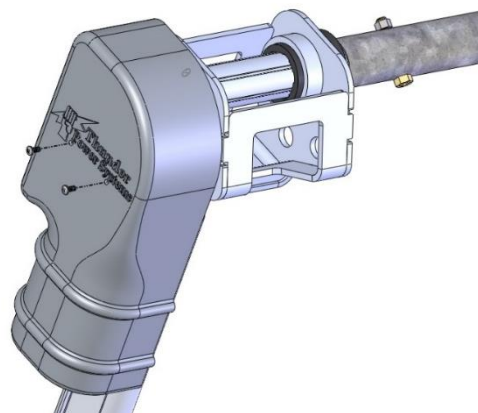
This kit is intended to replace older Thunder 6000<sup>XR</sup> tarp motor covers with a new design 2-piece motor cover.

**BENEFIT:**

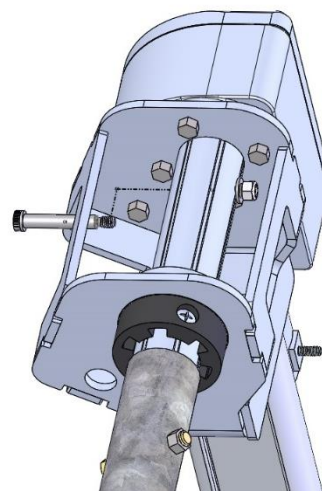
The new 2-piece design provides superior protection against moisture causing corrosion and particulates that can degrade motor life.

**REMOVAL:**

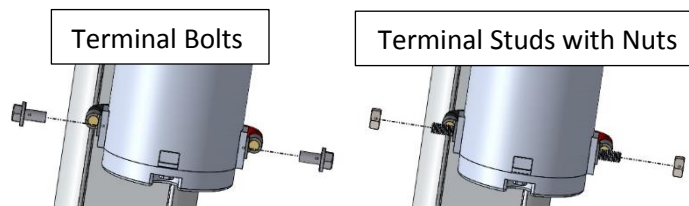
- Remove the existing motor cover by unscrewing the 2 Phillips screws holding it to the motor and discard.



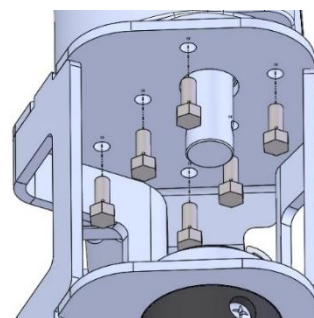
- Remove and retain the bolt holding the motor to the roll tube adaptor.



- Disconnect both electrical connections from the motor. Remove the terminal nuts or bolts dependent on which style your motor has.

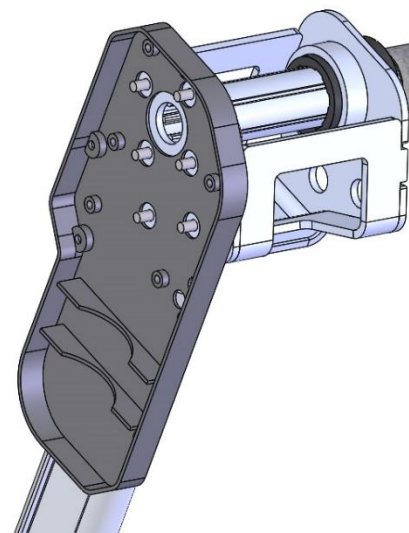


- Remove and retain the 6 bolts holding the motor to the head assembly and remove the motor from the assembly.

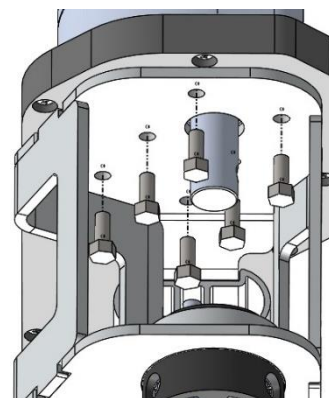


## INSTALLATION:

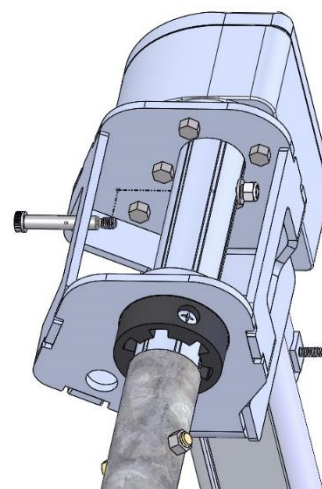
- Align the new bottom piece of the 2 piece motor cover against the motor head assembly matching the motor bolt hole locations.



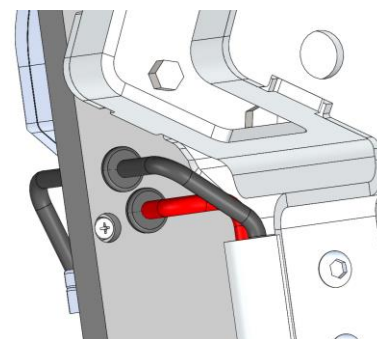
- Re-install the motor with the 6 motor bolts retained previously. Make sure the motor bolts are all tight prior to installation of the roll-tube adaptor.



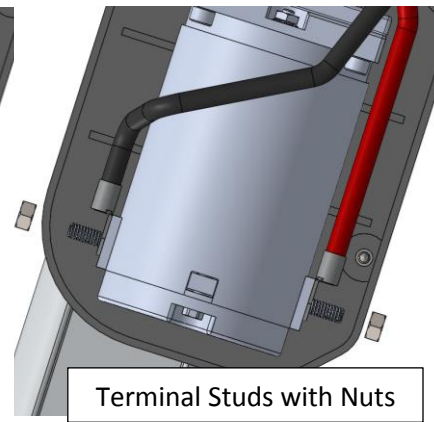
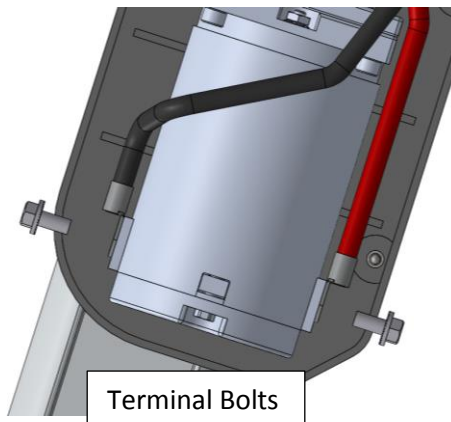
- Re-install the bolt connecting the motor to the roll-tube adaptor. Be sure it is fully tightened prior to running the motor after the motor cover installation.



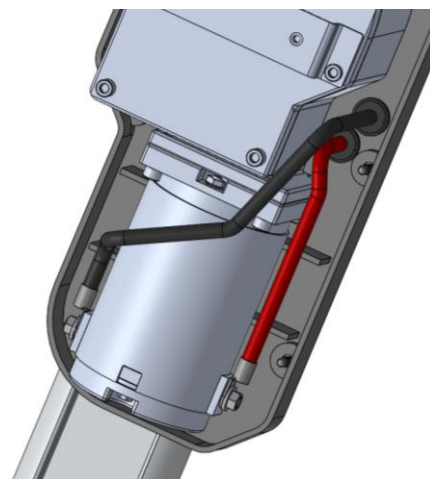
- Pull the motor wires through the rubber grommets on the bottom half of the new motor cover. Black through the top hole and red through the bottom hole. Slack may need to be adjusted throughout the arm assembly to reach the motor terminals.



- Re-connect the electrical connections to the motor. Red + positive wire to the M2 motor terminal and Black – Negative wire to the M1 motor terminal. Apply di-electric grease to the terminal studs or terminal bolts depending on the style of motor. Apply di-electric grease to the terminal covers if applicable.



- Make sure to install wires perpendicular to the motor terminals so the wires do not interfere with the installation of the new motor cover.



- Install the top half of the motor cover onto the bottom half and fasten with the 6 supplied screws. Do not overtighten.

