



CONTACT INFORMATION

NAME: _____
 ADDRESS: _____
 CITY: _____ STATE: _____ ZIP: _____
 PHONE: _____ CELL: _____

TRAILER INFORMATION

TRAILER BRAND: _____
 TRAILER MODEL: _____
 TRAILER YEAR: _____

IF ORDERING REPLACEMENT TARP ONLY

TARP WIDTH: _____ TARP LENGTH: _____
 STRAP QUANTITY: _____

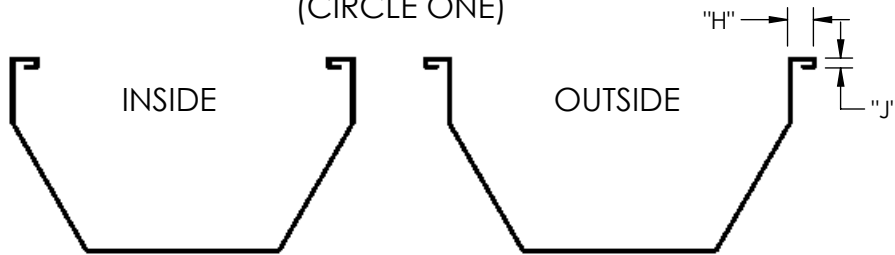
TRAILER DIMENSIONS

TRAILER WIDTH (DIMENSION "D"): _____
 TRAILER LENGTH (DIMENSION "E"): _____
 TRAILER INSIDE WIDTH (DIM "F"): _____
 TRAILER INSIDE LENGTH (DIM "G"): _____
 TRAILER LIP WIDTH (DIMENSION "H"): _____
 TRAILER LIP HEIGHT (DIMENSION "J"): _____

THESE DIMENSIONS ARE ONLY IF APPLICABLE

ANGLE HEIGHT (DIMENSION "A"): _____
 ANGLE OFFSET HEIGHT (DIM "B"): _____
 ANGLE OFFSET LENGTH (DIM "C"): _____

TOP RAIL LIP DIRECTION:
(CIRCLE ONE)

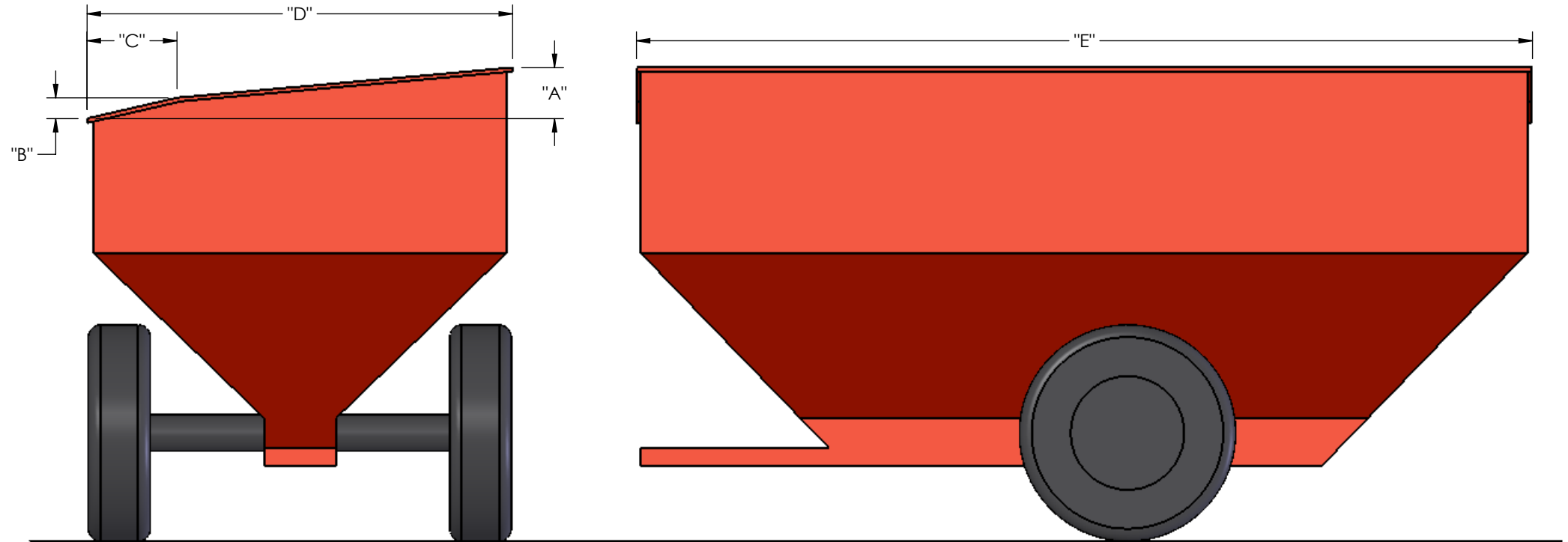


TARP MATERIAL OPTIONS
(STANDARD IS 22 OZ. BLACK)

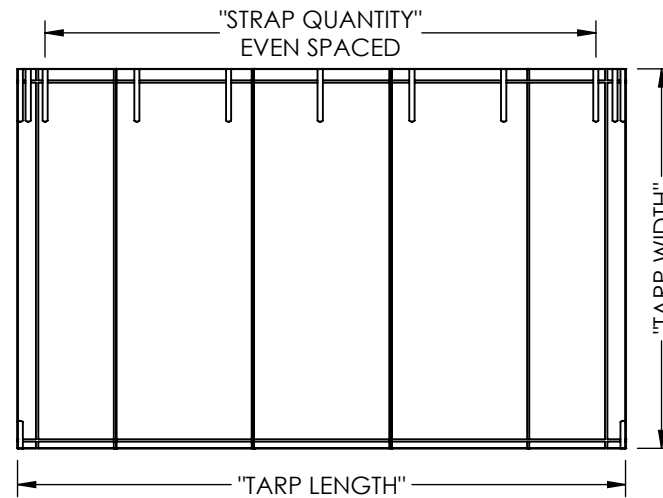
WEIGHT _____ 18 OZ. _____ 22 OZ.
 BLACK _____ DARK BLUE _____ RED _____ GREY _____
 (18 OZ. ONLY)
 ORANGE _____ BURGANDY _____ WHITE _____

LATCH PLATE LOCATION:
(STANDARD IS CURBSIDE)

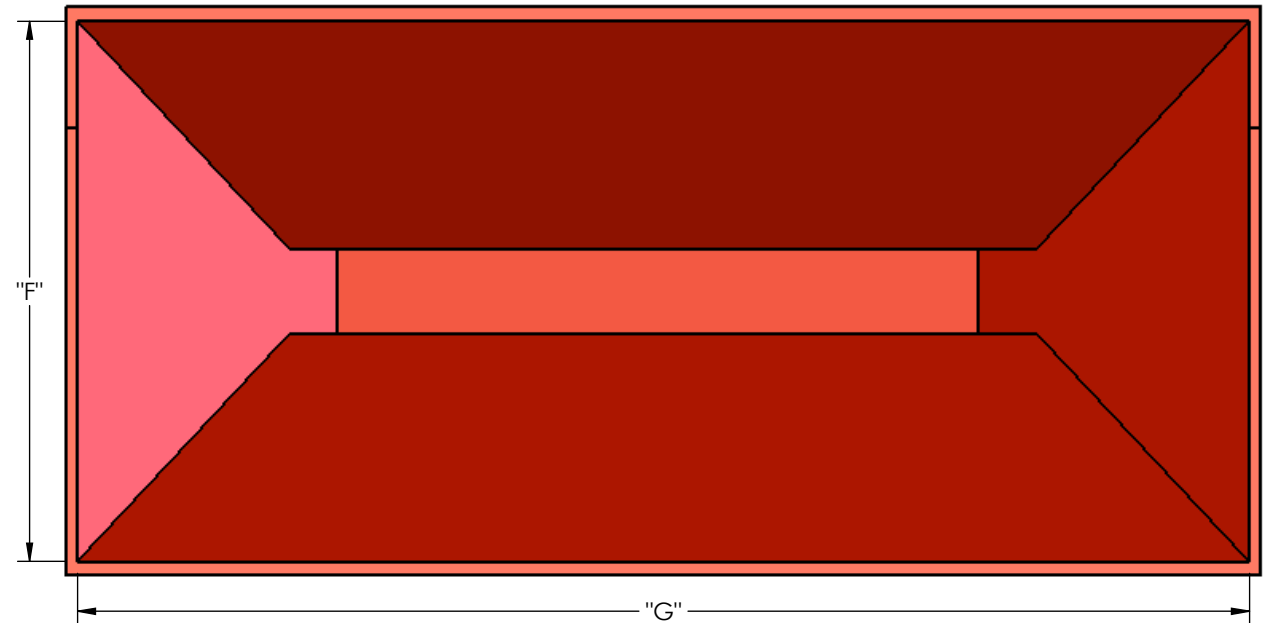
CURBSIDE _____ ROADSIDE _____



IMPORTANT: DRAWING SHOWS MEASURING AT TOP OF ANGLED EXTENSIONS. IF THERE ARE NO EXTENSIONS MEASURE AT THE TOP OF THE BOX.



PULL TARP TIGHT FOR ACCURATE MEASUREMENTS



NOTE:

THUNDERSTONE TARPS ARE CUSTOM MADE TO ORDER AND ARE NON-RETURNABLE. ACCURATE PHYSICAL MEASUREMENTS ARE ESSENTIAL FOR PROPER TARP FIT. ALWAYS USE ACTUAL TAPE MEASUREMENTS. DO NOT RELY ON UNIVERSAL BOX DIMENSIONS. BOX SIZE AND TARP SIZE ARE NOT THE SAME.

DRWN BY: MGW DATE DRWN: 7/26/2013

For questions contact customer service @ 402-435-4249

DWG. NO. Grain Cart Tarp Order Spec Sheet REV: